

Plastic Top-hat Stoppers





Top-hat Stoppers – Overview

Standard material: polyethylene (LD-PE), Colour: neutral

Please see the key for special orders for further materials and colours

Article	Dimensions in mm				For use with female DIN 13 metric ISO threads		For use with female ISO 228-1 DIN 2999 and DIN 3858 pipe threads
	D	h	d1	d2	Standard threads	Fine threads	
H 03	6.3	4.0	9.6	3.7			
H 02	7.2	5.5	11.2	5.2	M 8	M 8x1	
H 01	8.4	5.5	11.2	6.4	M 9		
H 1	9.2	5.5	14.4	7.0	M 10	M 10x1.25 M 10x1	G 1/8
H 1 A	10.1	5.5	14.4	8.2	M 12	M 12x1.5	
H 2	10.6	5.5	14.4	8.8	M 12	M 12x1.5	
H 2 A	11.3	5.5	14.4	9.5		M 12x1.25 M 12x1	
H 2 B	11.8	5.5	14.4	10.0			
H 3	12.3	7.0	18.7	10.4	M 14		G 1/4
H 3 A	13.0	7.0	18.7	11.1		M 14x1,5 M 14x1,25	
H 3 A 1	13.3	7.0	18.7	11.4		M 14x1,5 M 14x1,25	
H 3 B	13.6	7.0	18.7	11.7		M 14x1	
H 3 B 1	14.0	7.0	18.7	12.1	M 16	M 16x1.5	
H 3 C	14.4	7.0	18.7	12.3	M 16		
H 4	15.0	7.0	18.7	12.9		M 16x1.5	
H 5	15.8	7.0	18.7	13.8	M 18	M 16x1	G 3/8
H 6	16.5	7.0	18.7	14.5		M 18x2 M 18x1,5 M 18x1	G 3/8
H 6 A	17.1	9.0	24.6	15.2		M 18x2 M 18x1.5 M 18x1	
H 6 B	17.8	9.0	24.6	15.9	M 20	M 20x2	
H 7	18.5	9.0	24.6	16.5		M 20x2 M 20x1,5 M 20x1	
H 7 A	18.9	9.0	24.6	16.8			
H 7 B	19.2	3.8	24.6	17.5			
H 8	19.5	9.0	24.6	17.5	M 22	M 22x2	G 1/2
H 8 A	20.1	9.0	24.6	18.1	M 22	M 22x1.5	
H 9	20.7	9.0	24.6	18.4	M 22	M 22x1.5	
H 9 A	21.2	9.0	24.6	19.0	M 24		G 5/8
H 10	21.7	9.0	24.6	19.4	M 24		G 5/8
H 11	22.4	9.0	24.6	20.2		M 24x1.5	
H 11 A	23.0	9.0	28.5	20.8		M 24x1.5	
H 111	23.6	9.0	28.5	21.5			
H 112	24.0	9.0	28.5	21.9	M 27		



Top-hat Stoppers – Overview

Standard material: polyethylene (LD-PE), Colour: neutral

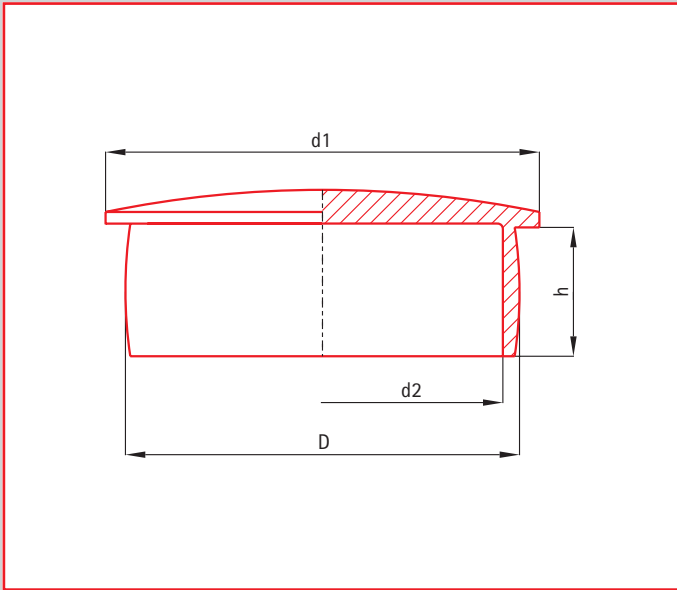
Please see the key for special orders for further materials and colours

Article	Dimensions in mm				For use with female DIN 13 metric ISO threads		For use with female ISO 228-1 DIN 2999 and DIN 3858 pipe threads
	D	h	d1	d2	Standard threads	Fine threads	
H 12	24.6	9.0	28.5	22.5	M 27		
H 13	25.5	9.0	28.5	23.4		M 27x2 M 27x1.5	G 3/4
H 14	26.5	9.0	28.5	24.6	M 30		
H 141	27.0	12.0	34.8	24.8	M 30		
H 142	27.5	12.0	34.8	25.3		M 30x3	
H 151	28.8	12.0	34.8	26.6	M 33	M 30x2 M 30x1.5	G 7/8
H 16	30.5	12.0	34.8	27.3	M 33		G 1
H 17	31.7	12.0	34.8	28.6	M 36	M 33x2 M 33x1.5	G 1
H 18	32.6	12.0	34.8	29.7	M 36	M 33x2 M 33x1.5 M 36x3	
H 19	34.6	12.0	40.4	31.6	M 39	M 36x2 M 36x1.5	
H 20	35.5	12.0	40.4	32.3	M 39	M 36x1.5 M 39x3	G 1 1/8
H 21	37.6	12.0	40.4	33.6	M39	M 39x3	
H 21 A	36.7	8.0	40.4	33.6	M 39	M 39x2	
H 23	39.0	16.0	49.3	35.3	M 42	M 39x1.5 M 42x3	
H 25	40.7	16.0	49.3	37.0	M 45	M 42x2 M 42x1.5	G 1 1/4
H 27	42.5	16.0	49.3	38.8	M 48	M 45x3	G 1 3/8
H 32	46.2	18.0	58.7	41.9		M 48x3 M 48x2 M 48x1.5	G 1 1/2
H 35	51.5	18.0	58.7	47.5		M 56x4	G 1 3/4
H 362	54.1	18.0	58.7	49.2	M 60	M 56x4 M 56x3 M 56x2	G 1 3/4
H 39	58.2	18.0	64.8	53.3	M 64	M 60x4 M 60x2 M 60x1.5	G 2
H 40	59.6	18.0	73.5	54.5	M 64		
H 49	73.7	17.4	82.3	68.7		M 75x1.5	G 2 1/2
H 54	80.8	17.4	92.5	75.8		M 80x4	G 2 3/4
H 57	86.5	17.4	99.3	81.3	M 80	M 76x2	G 3
H 64	98.8	17.4	112.0	93.5		M 100x2	G 3 1/2
H 70	111.7	17.4	123.0	106.4		M 115x4	G 4

Please see our separate "Technical Details" brochure for information on materials, colours, chemical resistance and manufacturing tolerances in line with DIN 16901. Subject to technical alterations.



Top-hat Stoppers



Kiba top-hat stoppers serve to close boreholes and female threads. The rounded shape ensures simple insertion and a firm fit.

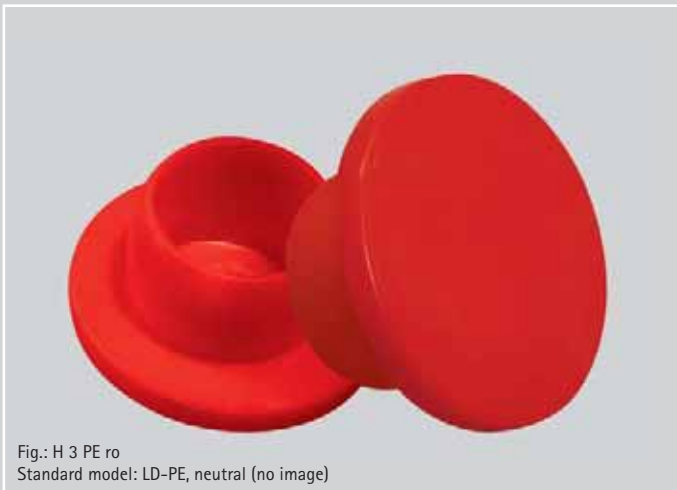
The outer diameters are dimensioned to ensure reliable protection for female threads in accordance with DIN 13 and ISO 228-1 / DIN2999 / 3858.

Standard Kiba top-hat stoppers are made of LD-PE and are neutral in colour. Please see the key for special orders for details of further stopper materials and colours. We will be happy to provide additional information upon request.

The mentioned applications are merely recommendations; actual use of the stoppers is at the discretion of the respective user. It is suggested that stoppers are tested for suitability for a given purpose, for which we will gladly provide samples.

Key for special orders

Article	Special model Material	Special model Colour
H35	PE	ge
	Polyethylene PE	red ro
	Polypropylene PP	yellow ge
	Polyamid 6 PA6	green gn
	Polyamid 6.6 PA6.6	natural na





Top-hat Stopper Applications

Top-hat stoppers protect holes and threaded holes from soiling



Multi-purpose stoppers



Protective caps



Knurled caps



Dish stoppers



Screw stoppers



Lug stoppers



Special closures



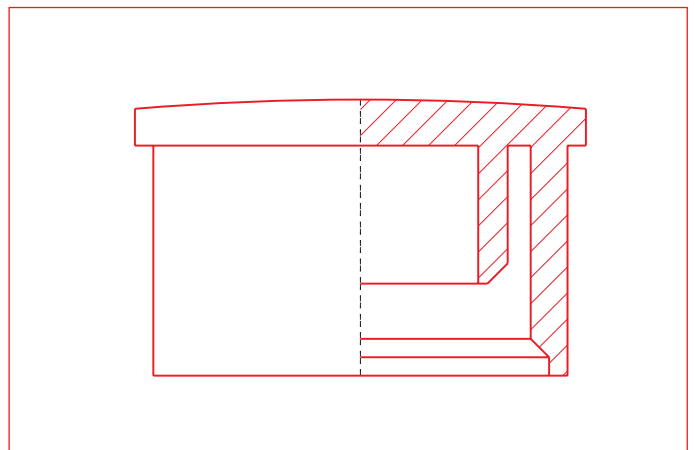
Top-hat Stopper H9AK

The H9AK stopper was designed to protect electrical connections on pneumatic and hydraulic components from damage.

The special design featuring an additional inner ring guarantees a secure fit on DIN 43650 and ISO 4400 connectors.

Standard model: PE, Colour: neutral
Further materials and colours on request

Ref. No.: H9AK



Kirsebauer
Plastic Protection Parts

Kiba Kirsebauer GmbH

Am Neuen Haus 10
D-58507 Lüdenscheid

Phone: +49 (0) 23 51 - 18 90 0

Fax: +49 (0) 23 51 - 18 90 90

www.kiba.de • info@kiba.de